



producing quality



microscope

OP-C12



OP-C12



ERGONOMICS AND VERSATILITY

The OP-C12 microscope manufactured by OPTOMIC fulfills the most demanding requirements.

The OP-C12 microscope offers one of the widest ranges of lighting systems, beam splitters, as well as image and video capture and treatment devices in the market.

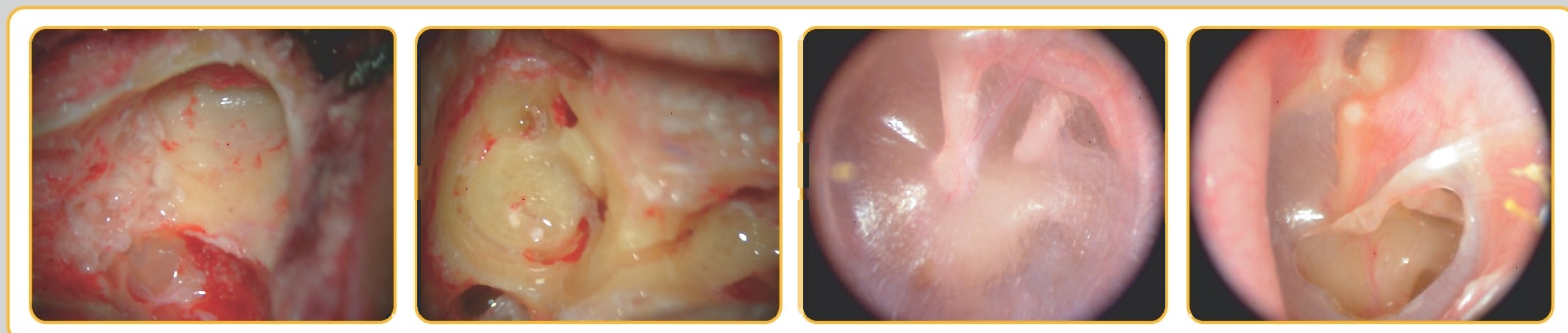
Its excellent optical and mechanical features, together with its great mobility and versatility, make the OP-C12 microscope the ideal equipment for any treatment.

The sturdiness and stability of the OP-C12 microscope, as well as the freedom of movement, enable the head to be placed in any desired position to offer the specialist an ergonomic posture in front of the patient.

COMPACT AND VERSATILE

The arms of the microscope can be folded to minimum dimensions, thus resulting very practical in the specialist's office as it occupies very little space.

VERSATILITY FOR ALL TECHNIQUES



OPTOMIC thanks Dr. Luis García-Ibañez for contributing these photographs.

The OP-C12 microscope is designed and built using the most modern and precise manufacturing systems.

Soft Move is our exclusive movement and braking system, which provides OPTOMIC equipment with a play-free turning mechanism and an excellent mobility, smooth and precise. Soft Move is supported by the great sturdiness and stability of the highly resistant conical cylinder bearings and a unique braking

system. The large central knob of this braking system acts by freeing or braking the turning movements with absolute precision, enabling even a total blockage.

The Soft Move system provides the specialist with extremely smooth and accurate Stick-Slip free movements, permitting the doctor to adopt a comfortable and ergonomic position during examination and surgery.

The head, with its swinging and directional movement, has a brake in each position, as well as a micrometric focusing knob. The magnifications changer is mounted on angular contact bearings, providing free lubrication maintenance, inexistence of play and an absolute accuracy in the rotation and vision of the equipment. This system is exclusive of OPTOMIC equipment.

supports

SUPPORTS

Rolling Floor Stand

The floor stand is of such reduced dimensions that the microscope can be positioned close to the ENT equipment without interfering with the rest of the apparatus. This very stable rolling floor stand has five double rubber wheels with independent brakes. These features give our equipment a great mobility as well as perfect balance and safety.



Fixed Floor Mount

This floor mount confers the microscope with a great stability. Its base has a diameter of only 360 mm and is directly fixed to the floor, making it possible to position it very close to the operative unit.



Wall Mount

With the long arm of this space-saving design, the specialist is able to work at a considerable distance from the wall. When not in use, it can be folded against the wall. Using an optional extension, a maximum 1,95 m radius can be achieved, thus guaranteeing the desired reach.



Ceiling Mount

This type of mount provides comfort and agility in the specialist's office and surgery rooms.



LIGHTING



Extractible

There are 2 light sources available: standard and MD.

Both extractible sources have a 150 W cooled halogen light, with double lamp, fiber optic cable light conducting system. The light source is placed near the patient, enabling it to be used with endoscopes.

The motorized source also offers:

- Green filter to obtain comparable images of tissue vascularization; amber and blue filters.

- Status and power digital monitoring system.
- Step-by-step motor regulating system of light intensity and filter selection (blue, green and amber).
- The mechanical diaphragm system ensures that the lighting color temperature is maintained constant at different intensities.

INTELLIGENT COMPATIBILITY AND INNOVATION

Beam Splitters

OPTOMIC offers the most complete range of beam splitters in the market, incorporating a wide variety of video and photographic cameras to meet the needs of every specialist.

OP-TV6

With compact CCD camera with an independent focusing system (composite video and S-VHS).

OP-TV22

Inside it has a high-resolution CCD camera and image and focus control commands.

OP-TV DIGITAL

With an exclusive system to adapt it to digital photographic cameras.

OP-TV 1428 / 714

They are the result of adapting our range of 1428 and 714 CCD cameras to the OP-TV beam splitter to obtain microscopic images with digital output of outstanding resolution.



Microscopy-Endoscopy

Two in one.

In the OPTOMIC digital video-microscope we find the integration of the techniques of microscopy and endoscopy thanks to the compatibility of the lighting and image systems. Simply connecting a fiber optic cable to the output of the microscope's light source and using the microscope's camera (CCD 1428/714), will result in a perfect endoscopic equipment, optimizing both space and resources.

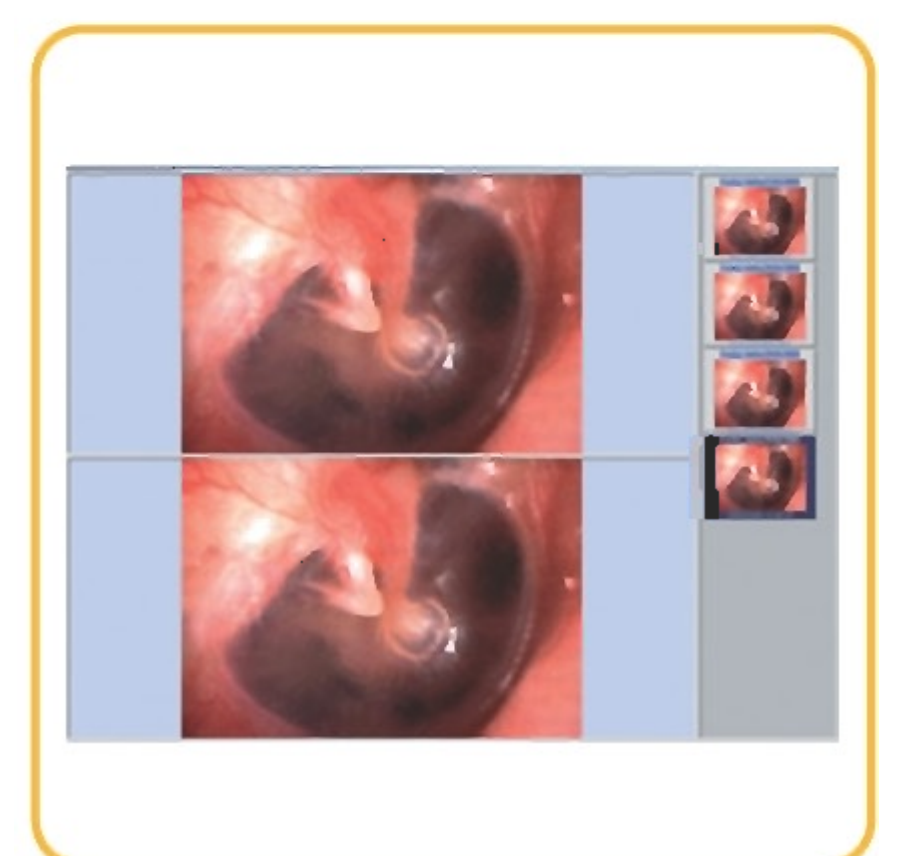


Digital Microscopy

Digital microscopy integrates the features of the OP-C12 microscope and the advantages of the digital image, video and data capturing system, Digitally Soft.



Our Digitally Soft image processing software makes it possible to draw reports, export images and videos and compare the pre- and post-treatment conditions. It also admits statistical studies, area calculations, compare measurements and other functions which permit the patient's data to be processed in a simple and agile manner.





Binoculars

The microscope's compact binoculars with innovative design can be comfortably adapted to any person as the interpupilar distance is easily adjusted.

The OP-C12 offers two options: straight and 45° inclined binoculars.



Objectives

There are four available objectives: standard 200mm, optional 250mm, 300mm and 400mm. Thanks to its large diameter lenses, it favors the coaxial illumination of the observation axis, offering a homogeneous and bright illumination field, as well as a better light transmission and an optimum lighting of the area explored.



Eyepieces

16x with large diameter lenses.

The new optical coating offers a better high resolution, contrast and definition, providing brighter and more chromatically real images, and an extraordinary viewing quality.



Effective Magnifications

3-step Galilei changer, permitting magnifications from 2.4x up to 12x.

OPTOMIC designs and manufactures all of its optical components with the highest quality and precision standards, using the best glass types and coatings, resulting in equipment of great reliability and excellent optical quality.

TECHNICAL FEATURES

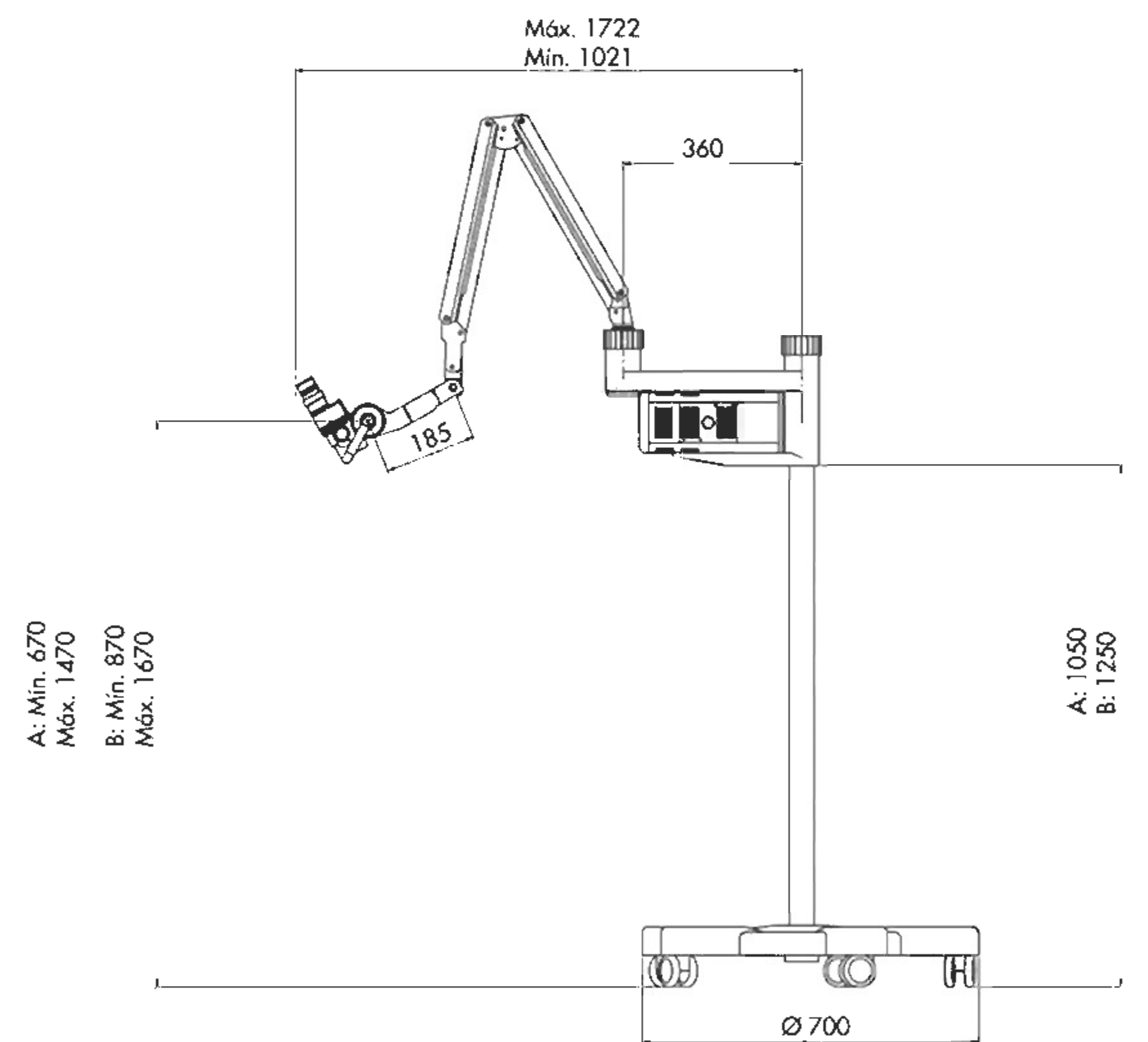
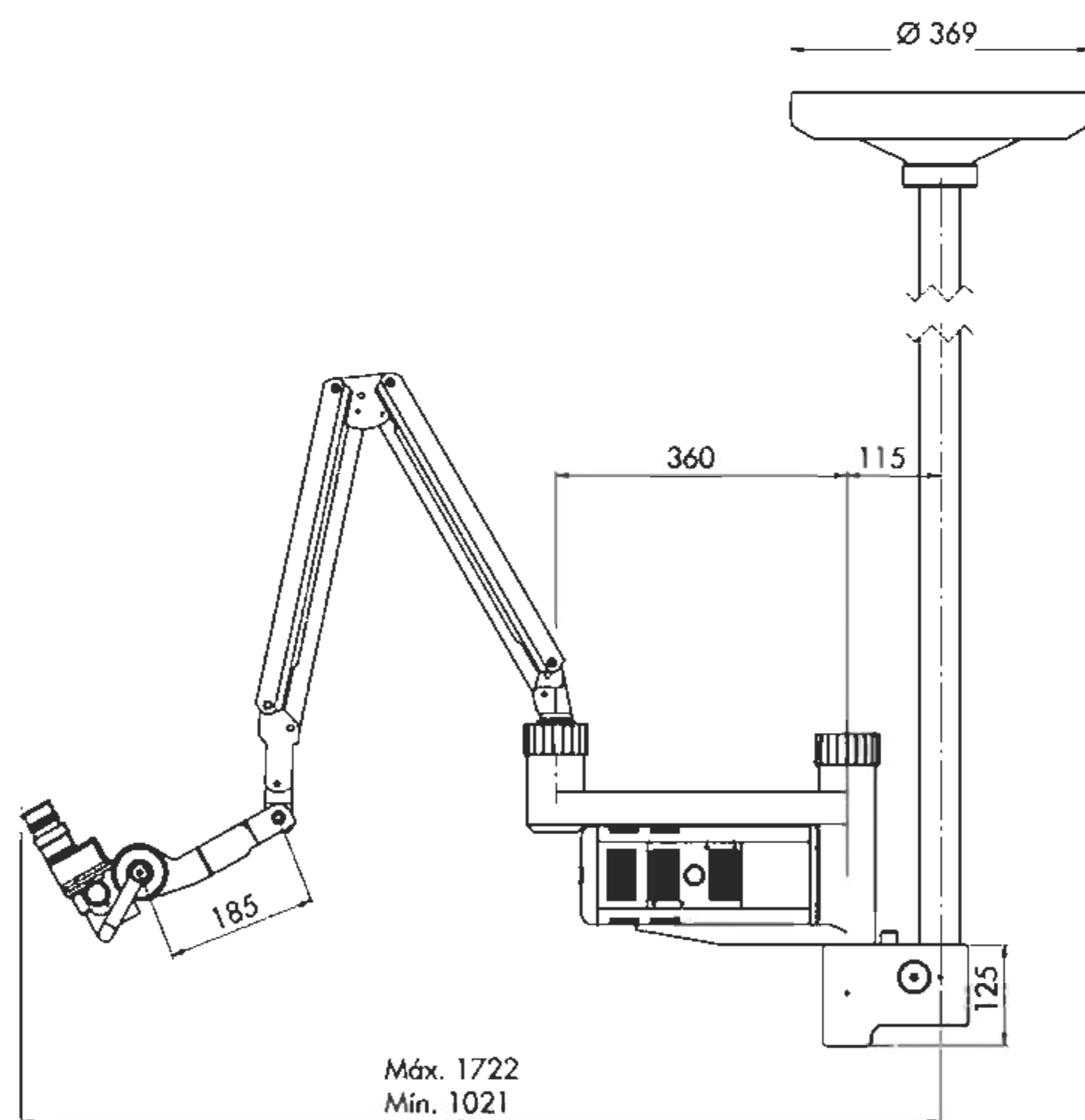
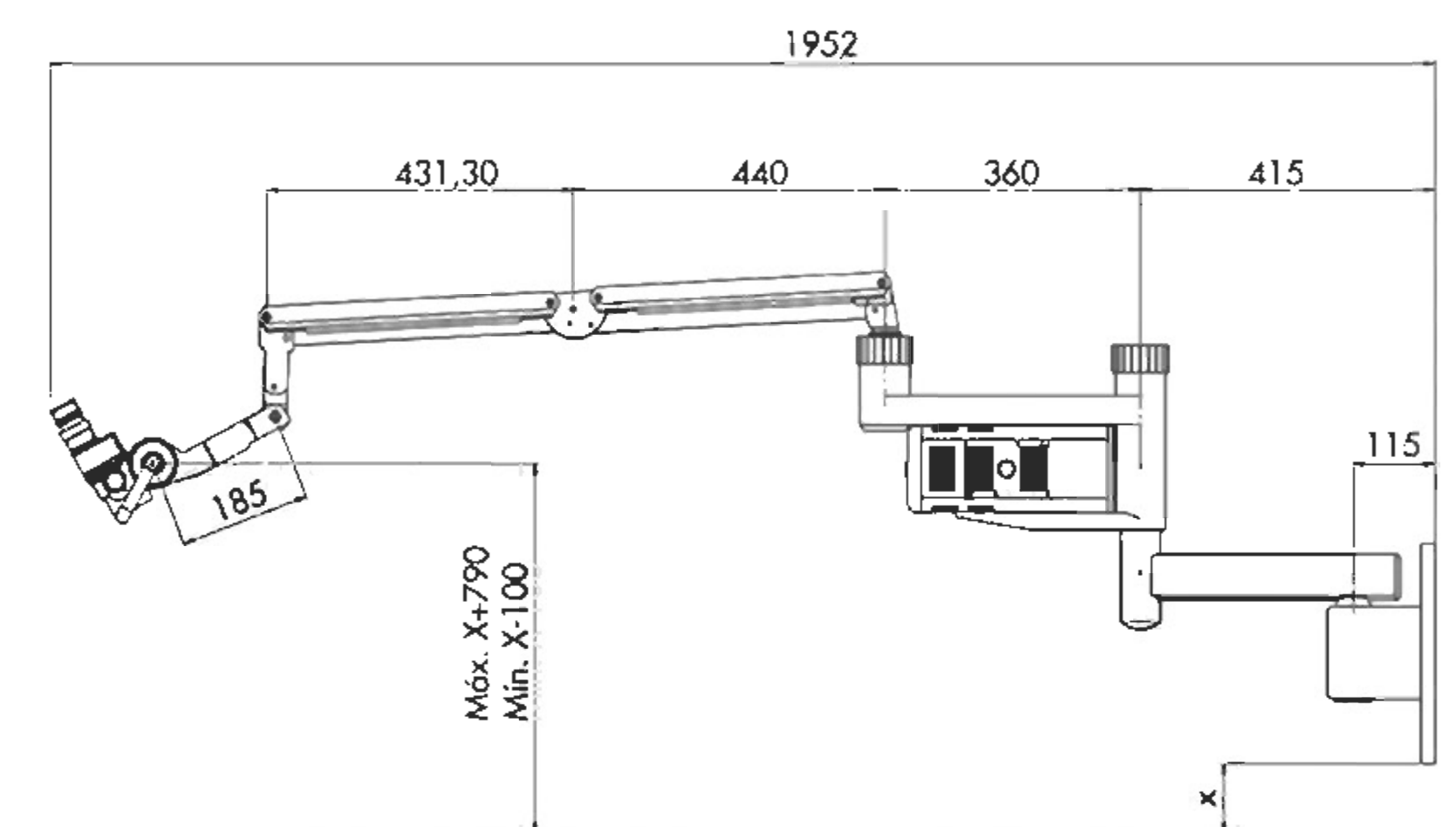
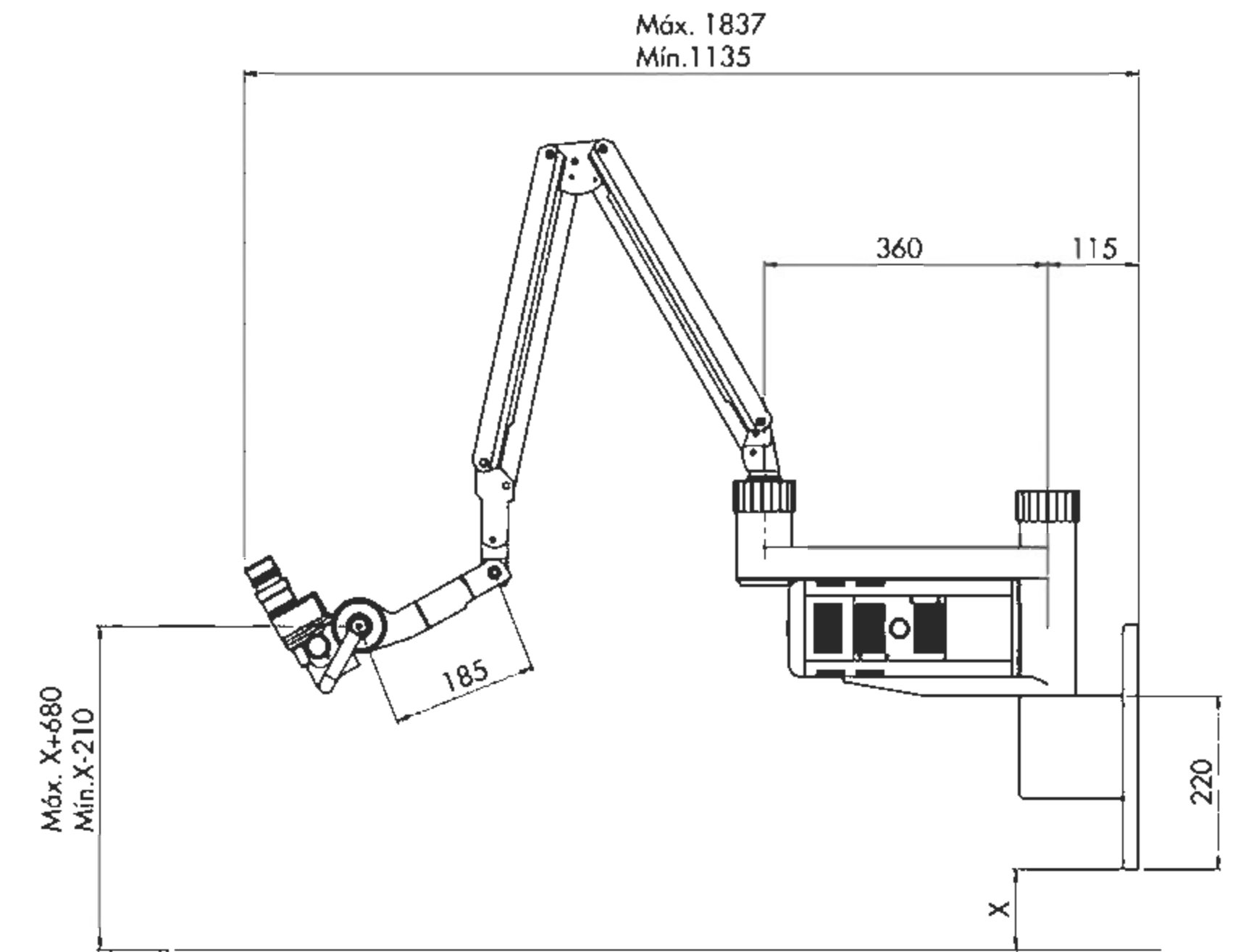
- Stereoscopic head with micrometric focus.
- Straight binocular or 45° inclined binocular, according to configuration.
- Coaxial cold light illumination system through the objective.
- Double 150W halogen lamp with cooling system.
- Fiber optic cable light conduction.
- 16x widefield eyepieces.
- 3-steps Galilei magnifications changer.
- 200mm standard objective (250mm, 300mm and 400mm optional).
- Magnifications:

OBJECTIVE	0,6	1,0	1,6
F200	5x	8x	12x
F250	4x	6x	10x
F300	3x	5x	8x
F400	2,4x	3,8x	6x

- Head and arm with brakes and movements using angular contact bearings and high resistance conical cylinder bearings, Soft Move system.
- Highly stable 5-wheeled floor stand with brakes (optional).
- Wall mount (optional).
- Ceiling mount (optional).
- Voltage: 100/240V 50/60Hz.
- Complies with ISO 13485:2003 (medical uses).

Mounting options:

- Five-wheeled floor stand with brakes.
- Fixed floor mount.
- Wall mount.
- Ceiling mount.



DISTRIBUTOR:



producing quality



OPTOMIC ESPAÑA, S.A. reserves all rights to modify partially or totally, without previous notice, the characteristics of the present leaflet.

